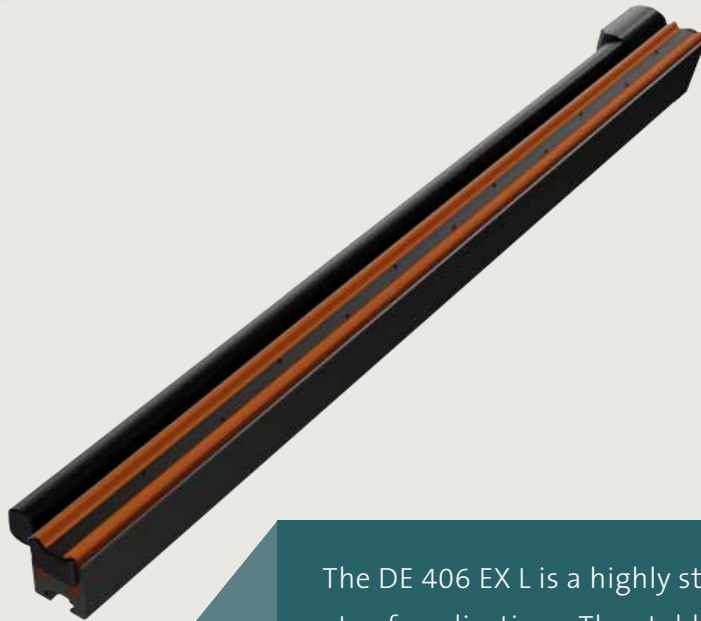


KERSTEN®

Electrode

DE 406 EX L



THE PRODUCT

The DE 406 EX L is a highly stable universal electrode for a variety of applications. The stable aluminium profile design renders it suitable for longer self-supporting distances. A greater electrostatic discharge reach and material cleaning effect may be achieved with the additional support of compressed air.

PRODUCT BENEFITS

- Safe to touch
- Small electrode cross-section
- Vacuum-casted
- Customizable to individual lengths

CUSTOMER BENEFITS

- ATEX approval acc. to Ex II (2) D 80°C and Ex II (2) G IIB T6
- Longlasting and durable through the use of GRP
- Minimal maintenance effort
- Plug-in system

WHY KERSTEN?

- Made in Germany for over 40 years
- Needs-based consultation
- Tailor-made solutions
- Fast delivery

GENERAL

Supply voltage	U	kV DC	<+6.0/>-4.5
Power consumption per 1m electrode length at max. supply voltage	I _{max}	µA	250
Connection type			neXt® - plug-in
Grid width (tip distance)		mm	25
Available total lengths	L	mm	990 - 3990*

DETAILS

Effective distance (possible / optimal)		mm	10-400 / 20-100
Min. distance to metal areas (lateral / in operating direction)		mm	10 / 40
Air consumption (length 1.0m) at 0.2 -1.0bar		m ³ /h	4.5 - 26.5
Air connection		mm	Ø 8.0
Max. available high voltage cable length		m	120
- Grid up to 2.0m / - Grid from 2.0m		m	0.2 / 0.5
Minimum bend radius of cable			
- Fixed installation / - Constant movement	R	mm	15 / 30

CLIMATIC CONDITIONS


Temperature during transport and storage	T	°C / °F	-25- +85 / -13- +185**
Temperature during operation	T	°C / °F	+5- +80 / +41- +176***
Relative humidity / with compressed air (non-condensing)	RH	%	<80 / <60

DIMENSIONS

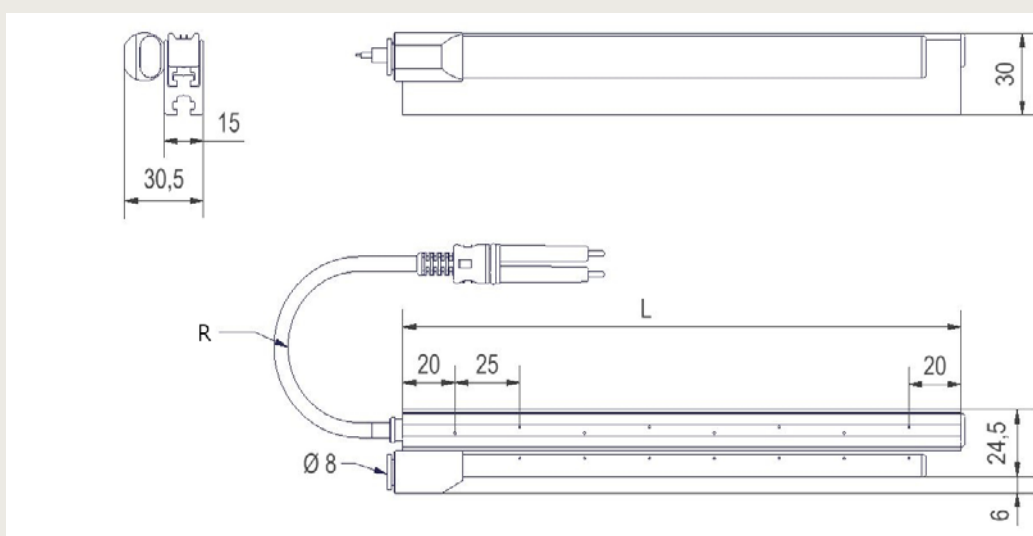
L/W/H	mm	L / 30.5 / 30
-------	----	---------------

*active length = total length -40mm **acc. UL50 TypB / class 3K3 max. +70 °C (+158 °F) ***acc. UL50 TypB / class 3K3 max. +70 °C (+158 °F)

TECHNICAL DRAWING

EX - Approval:
PTB 15 ATEX 5008 U
EN 50050-2:2011
EN 50050-1:2011
 II(2) G IIB T6
II(2) D 80 °C

All dimension
measurements in mm



KERSTEN ELEKTROSTATIK GMBH

Walter-Knoell-Straße 3
D-79115 Freiburg | Germany
T +49 761 47944-0 | F +49 761 47944-99
info@kersten.de | www.kersten.de

