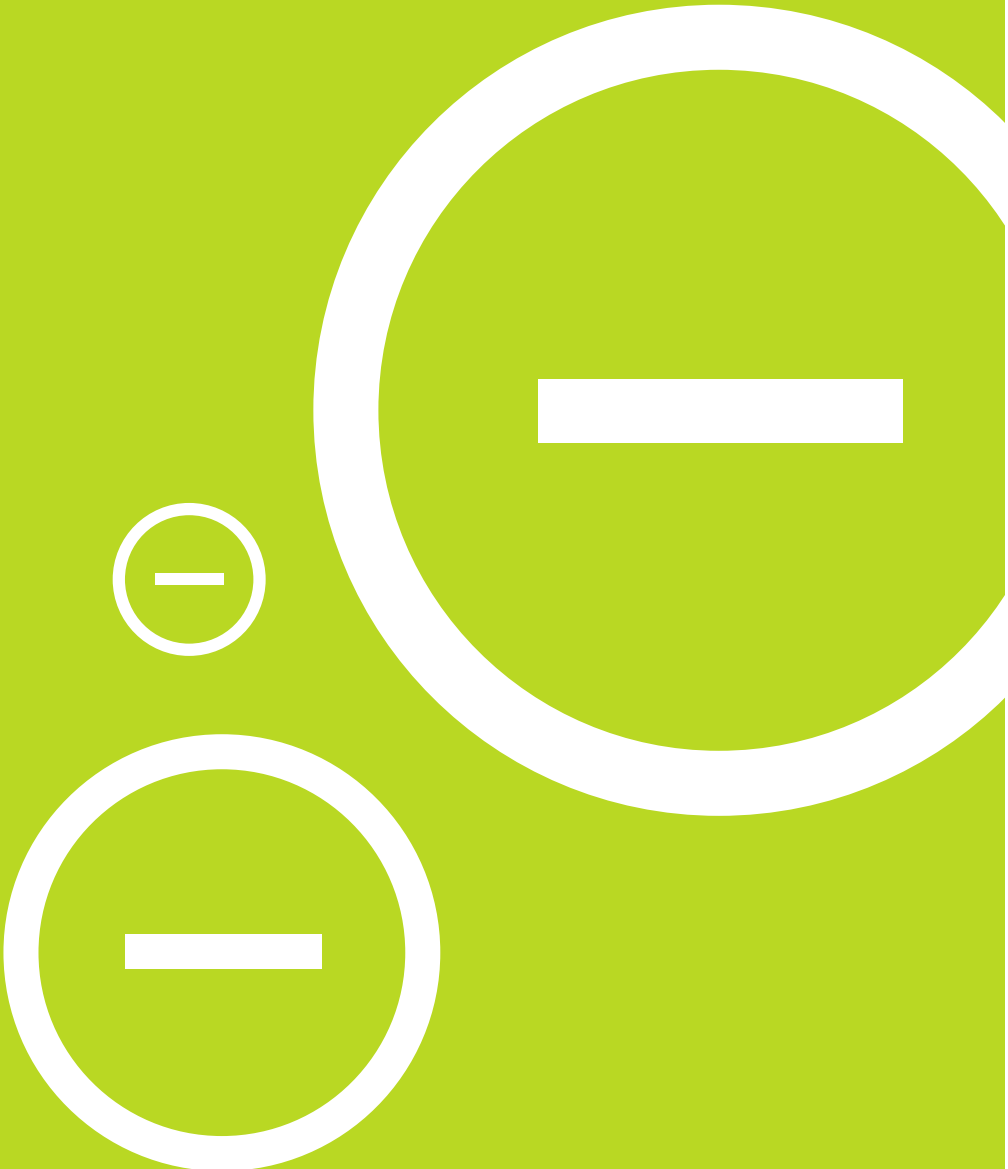
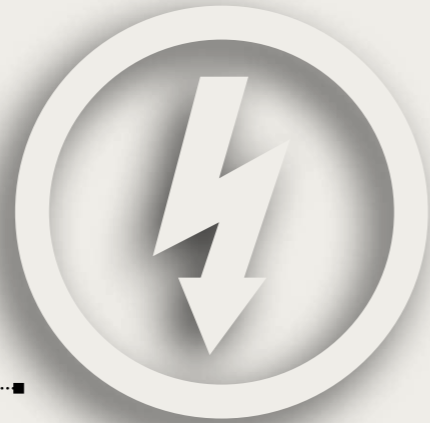


DISCHARGING



The driving force
for your discharge.

Power Supply



The high-voltage generators provide the electrical supply for all KERSTEN discharging components.

At Kersten, you will find the most compact and most efficient high-voltage generator for electrostatic discharge in its class.

If you need high-voltage generators for large installations, you will find the right solution at Kersten – compact and expansion possibility via the high-voltage distributor.

KERSTEN-PRODUCTS – YOUR BENEFITS

- Plug-in system
- Easy assembly
- Installation in tight spaces
- Flexible expansion options
- Suitable for various application areas
- No EMC problems
- Minimal maintenance / Maintenance free

GENERAL NOTICE

Custom-made products and customer-specific adaptations are possible at any time if necessary.

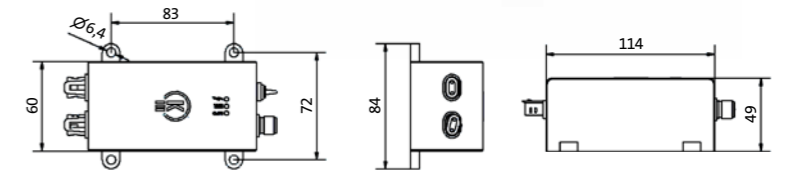


Find further information related to product category at www.kersten.de/en

DG 106

The driving force for your discharge. The high voltage generators provide the electrical supply for all KERSTEN discharging components. Error and maintenance information for components included.

- Patented bipolar DC High Voltage
- Compact Design
- Plug-in system
- Highest output of ions
- Error & Cleaning Indicator

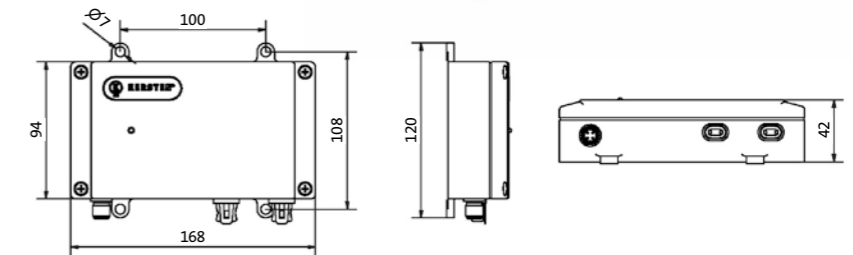


All dimensions in mm.

DG 206

The driving force for your discharge. The high voltage generators provide the electrical supply for all KERSTEN discharging components. Error information for generator and components included.

- Patented bipolar DC High Voltage
- Compact Design
- Plug-in system
- Highest output of ions

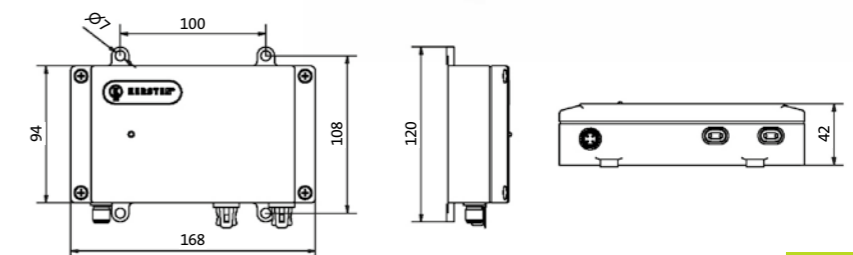


All dimensions in mm.

DG 206 X (0-Offset)

The discharging generator DG 206 X (0-Offset) can be used to supply all the next® discharging components. The generator is designed for use in extreme conditions and for difficult materials.

- Patented bipolar DC High Voltage
- Compact Design
- Plug-in system
- Highest output of ions

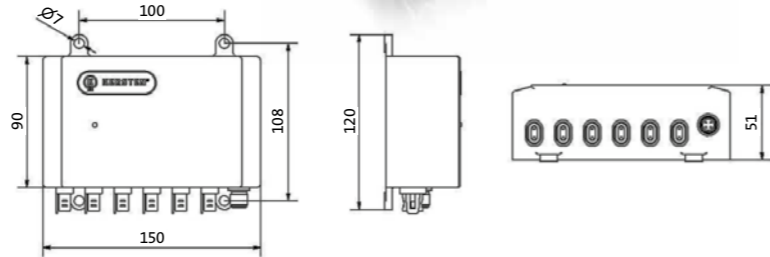


All dimensions in mm.

DG 306

The driving force for your discharge. The high-voltage generators provide the electrical supply for all KERSTEN discharging components. Error information for generator and components is included.

- Patented bipolar DC High Voltage
- Compact Design
- Plug-in system
- Highest output of ions
- 6 high voltage slots

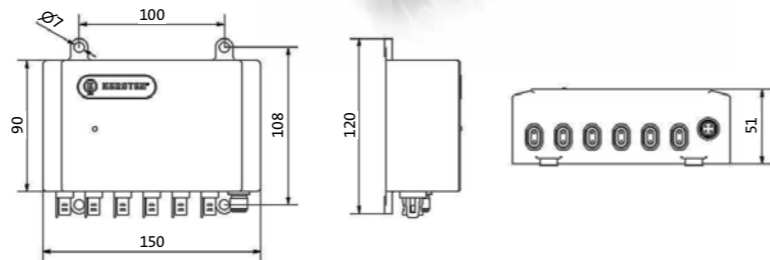


All dimensions in mm.

DG 306 X (o-Offset)

The discharging generator DG 306 X (o-Offset) can be used to supply all the next® discharging components. The generator is designed for use in extreme conditions and for difficult materials.

- Patented bipolar DC High Voltage
- Compact Design
- Plug-in system
- 6 high voltage slots

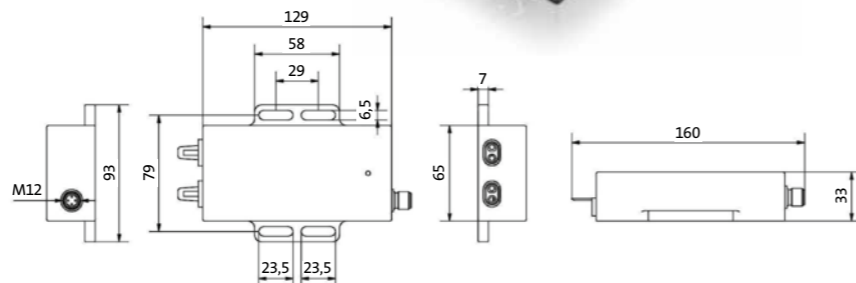


All dimensions in mm.

DG 416

The driving force for your discharge. The high voltage generators provide the electrical supply for all KERSTEN discharging components.

- Patented bipolar DC High Voltage
- Compact Design
- Plug-in system
- Error display
- Low weight

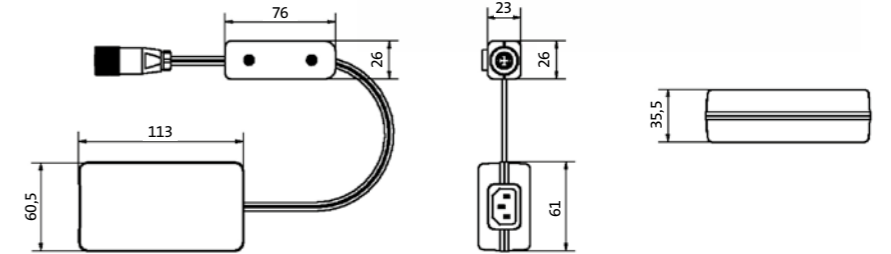


All dimensions in mm.

AN 112

The power supply unit AN 112 is used to supply the discharging generator. The power supply unit has a switch where the connected generator can be turned on or off.

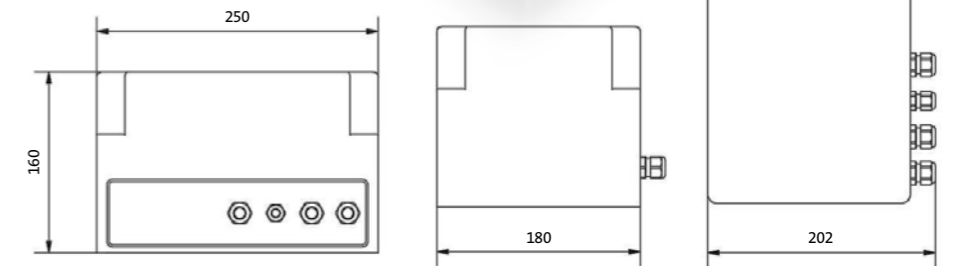
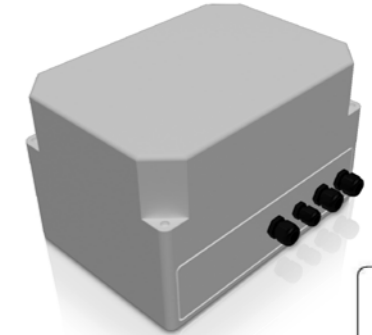
- Use in the absence of 24 V DC
- Supply voltage 115/230 V AC 50/60 Hz



All dimensions in mm.

AN 204/214

The AN 204 mains unit offers a flexible power supply option.

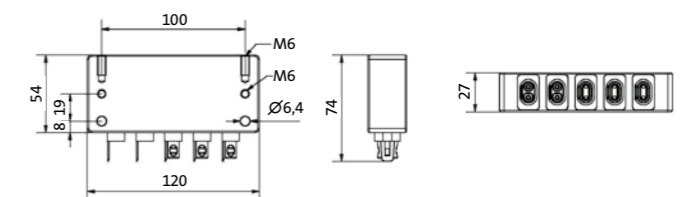
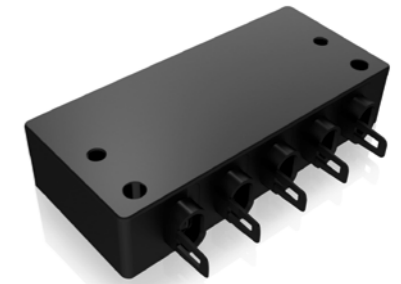


All dimensions in mm.

DV 106

DV 106 serves as a link between the generator and discharge components. The system can be expanded due to its additional slots.

- Additional sockets
- Compact design
- Plug-in system

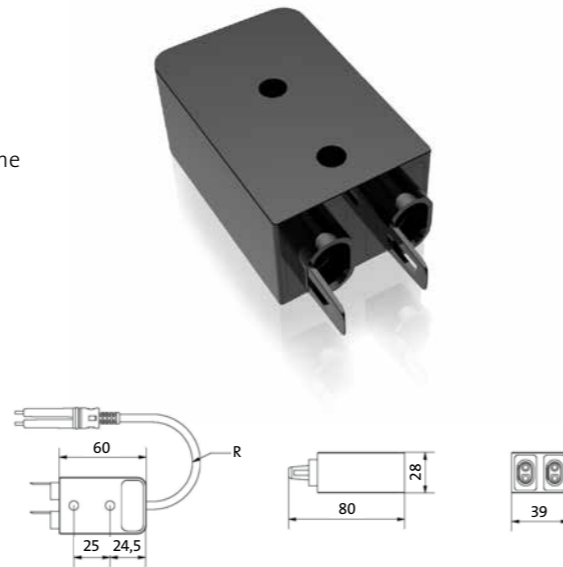


All dimensions in mm.

DV 206

System with flexibility: The DV 206 high voltage distributor is the little brother of the DV 106, offering you the option of extending your existing discharge system by a further member of the KERSTEN neXt® product family.

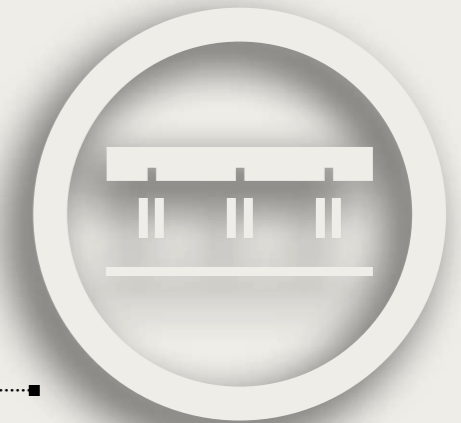
- Passive high voltage distributor
- Additional sockets
- Plug-in system



All dimensions in mm.

Small product,
big effect.

Electrodes



The discharge electrodes by KERSTEN are the core component in order to control and neutralise electrostatic charges.

Kersten offers, for example, an extremely compact discharging electrode with the world's smallest electrode cross-section.

Furthermore, you will find products for universal use or for specialized applications, such as: an adjustable air duct, a flush mounted structure or longer unsupported lengths.

KERSTEN-PRODUCTS – YOUR BENEFITS

- Durable and robust due to GFRP
- Minimal maintenance / Maintenance free
- Safe to touch
- Continuous flow of ions

LEGEND

H = Heat resistant
L = with air support (fixed / adjustable)

GENERAL NOTICE

Custom-made products and customer-specific adaptations are possible at any time if necessary.



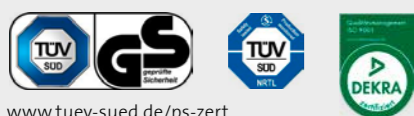
Find further information related to product category at www.kersten.de/en

TECHNICAL DATA			DG 106	DG 206	DG 306	DG 416
Supply voltage	U_N	V DC	24+-20%	24+-20%	24+-20%	24+-20%
Max. operating current	I_B	mA	630	630	630	300
Max. active power	P	W	15	15	15	8
Voltage error output	U_f	V DC	24+-20%	24+-20%	24+-20%	
Output voltage	U_A	kV DC	+3,8/-2,8	+3,8/-2,8	+3,8/-2,8	+4,5/-3,3
Max. output current	I_{max}	mA	0,9	0,9	0,9	0,3
Number of high-voltage slots			2	2	6	2
Weight	g		510	740	970	410

SUBJECTS TO TECHNICAL MODIFICATIONS.

GENERAL ACCESSORIES

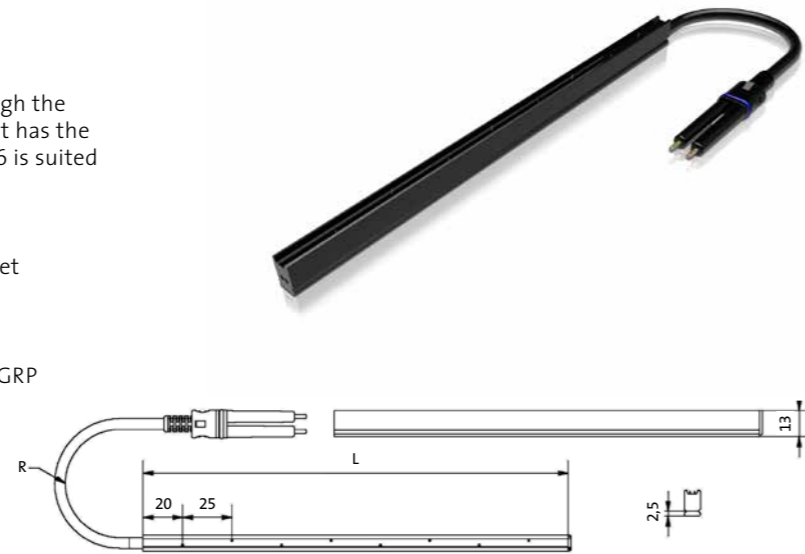
- Measuring Instruments:
Securing process quality through checks is an important topic. With the measurement devices offered by KERSTEN, you're able to have your entire process under control. We will gladly create an offer for you with the right measurement devices for your application
 - Electrostatic field meter
 - Digital multimeter
 - High voltage probe
- Pneumatic Supply:
The pneumatic supply and distribution systems offered by KERSTEN allow you to enjoy the benefits of air-assisted electrostatic discharging even without your own house air supply.
 - Compressor
 - Air fittings



DE 106

The smallest from the house of KERSTEN. Through the electrode's extremely slim design and because it has the smallest cross section on the market, the DE 106 is suited for the smallest of application spaces.

- Safe to touch
- Smallest electrode cross-section on the market
- Vacuum casted
- Customizable to the centimetre
- Installation in the smallest spaces
- Long lasting and durable through the use of GRP
- Minimal maintenance effort

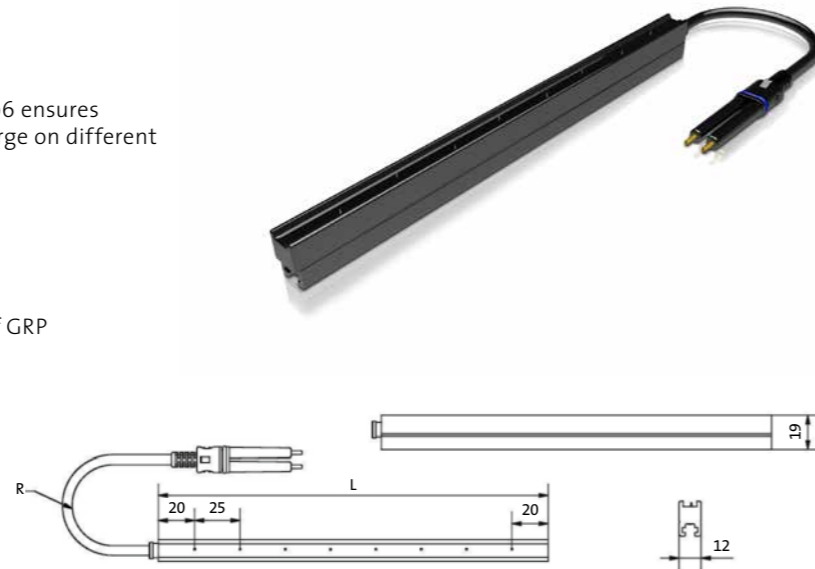


All dimensions in mm.

DE 206 (L) (H)

Our most popular discharging electrode. DE 206 ensures the effective elimination of existing static charge on different materials and optimizes your process.

- Safe to touch
- Small electrode cross-section
- Vacuum casted
- Customizable to the centimetre
- Long lasting and durable through the use of GRP
- Minimal maintenance effort
- Plug-in system

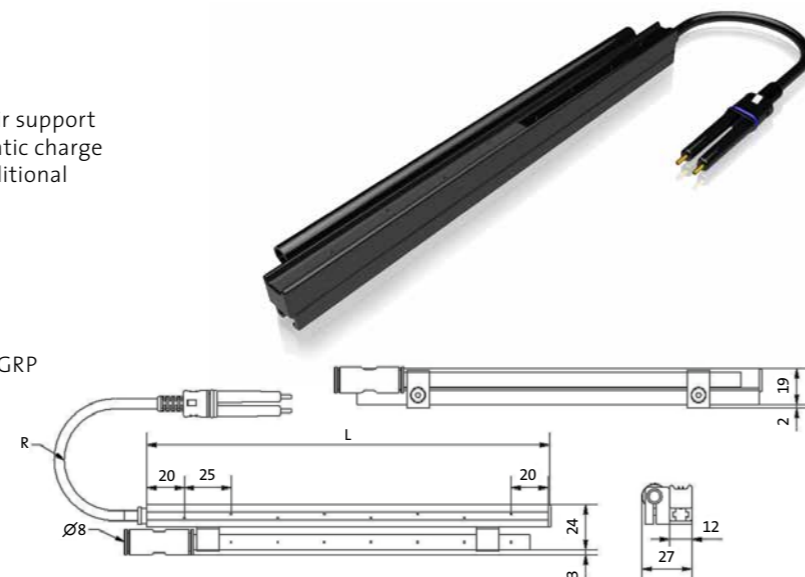


All dimensions in mm.

DE 216 L

The DE 216 L with adjustable exit angle of the air support ensures the effective elimination of existing static charge over longer ranges and is able to achieve an additional cleaning effect.

- Safe to touch
- Small electrode cross-section
- Adjustable exit angle of the air support
- Customizable to the centimetre
- Long lasting and durable through the use of GRP
- Minimal maintenance effort
- Plug-in system

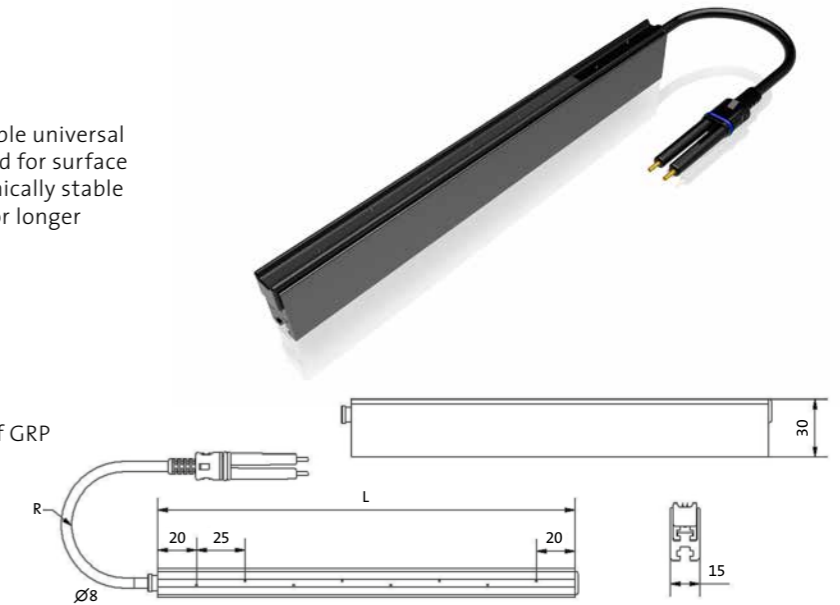


All dimensions in mm.

DE 406 (L)

The DE 406 discharge electrode is a highly stable universal electrode for a variety of applications. It is used for surface discharging a variety of materials. The mechanically stable aluminium profile design renders it suitable for longer self-supporting distances.

- Safe to touch
- Longlife product
- Vacuum casted
- Customizable to the centimetre
- Customizable to individual lengths
- Long lasting and durable through the use of GRP
- Minimal maintenance effort
- Plug-in system



All dimensions in mm.



ELECTRODES

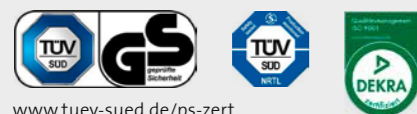
TECHNICAL DATA		DE 106	DE 206	DE 206 H	DE 206 L	DE 216 L	DE 406	DE 406 L
Number of points		3-33	3-121	3-121	3-121	3-121	39-159	39-159
Total length	mm	90-840	90-3040	30-3040	90-3040	90-1440	990-3990	990-3990
Effective range								
- optimal	mm	40-60	40-60	40-60	40-100	40-100	40-60	40-100
- possible	mm	30-300	30-300	30-300	30-400	30-400	30-300	30-400
Air consumption per m length at 0,2 to 1,0bar	m ³ /h				4,2-13,5	4,2-13,5		4,2-13,5
Outer material		GFK	GFK	GFK	GFK	GFK	GFK	GFK

SUBJECTS TO TECHNICAL MODIFICATIONS.

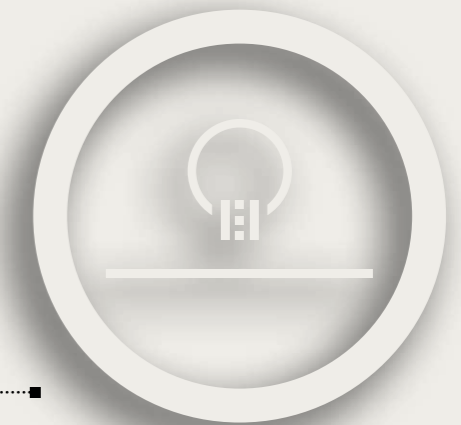
GENERAL ACCESSORIES

- Measuring Instruments:
Securing process quality through checks is an important topic. With the measurement devices offered by KERSTEN, you're able to have your entire process under control. We will gladly create an offer for you with the right measurement devices for your application
 - Electrostatic field meter
 - Digital multimeter
 - High voltage probe

- Pneumatic Supply:
The pneumatic supply and distribution systems offered by KERSTEN allow you to enjoy the benefits of air-assisted electrostatic discharging even without your own house air supply.
 - Compressor
 - Air fittings



Brings air to the point.



Nozzles

The discharge nozzles can be installed to pinpoint precision. It can also be used to replace existing nozzles without ionisation.

Nozzles from Kersten can, for example: connect with existing articulated hose systems, are suitable for use in confined spaces, can be integrated into existing systems. You can also increase the nozzle operation via additional compressed air.

KERSTEN-PRODUCTS – YOUR BENEFITS

- Plug-in system
- Easy assembly
- Installation in tight spaces
- Suitable for various application areas
- No EMC problems
- Minimal maintenance / Maintenance free
- Suitable for your compressed air supply
- Continuous flow of ions

GENERAL NOTICE

Custom-made products and customer-specific adaptations are possible at any time if necessary.

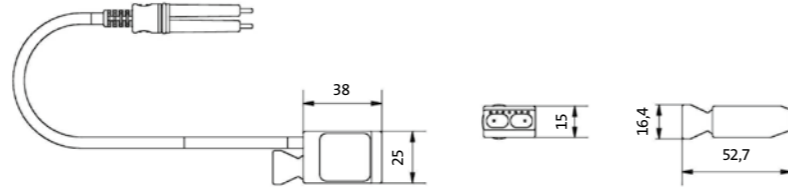


Find further information related to product category at www.kersten.de/en

DD 106 (A)

The DD 106 discharge nozzles in the neXt® product family are designed to fit existing ball heads of 1/4" Ariana articulated hoses. This means that you may, for instance, extend your existing articulated hose system by adding deionising functionality.

- Compact design
- Improvement of processes
- Continuous flow of ions
- Easy to install
- Suitable for your compressed air supply
- Maintenance free

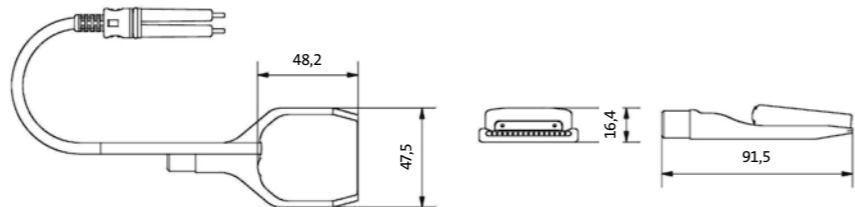


All dimensions in mm.

DD 206 (A)

The DD 206 and DD 206 (A) discharging nozzles are flow-optimised. A greater electrostatic discharge reach and cleaning effect on the material to be discharged may be achieved with the additional support of compressed air. Air connection is provided via a G1/4" female thread.

- Compact design
- Improvement of processes
- Continuous flow of ions
- Easy to install
- Suitable for your compressed air supply
- Maintenance free

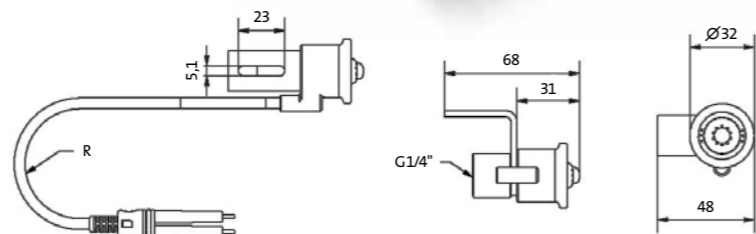


All dimensions in mm.

DD 406 (A)

The discharging nozzle DD 406 has a compact design as well as an air outlet that is focused to a point. It has optimized flow as well as having low-noise. The DD 406 optimally discharges all materials with high efficiency, even with low pressure. Air connection is provided by an existing internal thread of G1/4".

- Flow-optimised
- Compact design
- Improvement of processes
- Continuous flow of ions
- Low noise
- Easy to install
- Suitable for your compressed air supply
- Maintenance free

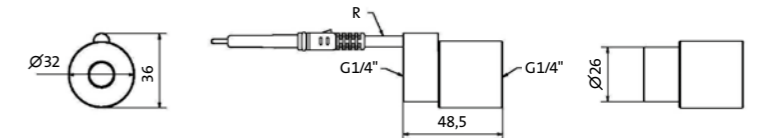


All dimensions in mm.

DD 606

The DD 606 discharge nozzle is used for electrostatic extension of existing air nozzles. Combined with a DD 606, these may be upgraded to a fully-fledged discharge assembly. The air connection may be customised using various adapters. The air connection is provided via push-on connectors.

- Compact design
- Improvement of processes
- Continuous flow of ions
- Various adapters usable
- Easy to install
- Suitable for your compressed air supply
- Maintenance free



All dimensions in mm.



NOZZLES

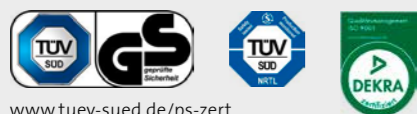
TECHNICAL DATA		DD 106 (A)	DD 206 (A)	DD 406 (A)	DD 606
Number of points		2	2	6	8
Articulated hose interior-Ø	mm	6,5	12,5	12,5	G 1/4
Effective range					
- optimal	mm	10-60	10-80	10-100	10-100
- possible	mm	10-100	10-150	10-300	10-1000
Air consumption per m length at 0,2 to 1,0bar	m ³ /h	2,3-5,7	3,5-8,4	3,0-7,3	3,7-9,5
Air supply p (oil-, water-, dust-free)	bar	0,5-2,5	0,5-2,5	0,5-2,5	0,5-2,5

SUBJECTS TO TECHNICAL MODIFICATIONS.

GENERAL ACCESSORIES

- Measuring Instruments:
Securing process quality through checks is an important topic. With the measurement devices offered by KERSTEN, you're able to have your entire process under control. We will gladly create an offer for you with the right measurement devices for your application
 - Electrostatic field meter
 - Digital multimeter
 - High voltage probe

- Pneumatic Supply:
The pneumatic supply and distribution systems offered by KERSTEN allow you to enjoy the benefits of air-assisted electrostatic discharging even without your own house air supply.
 - Compressor
 - Air fittings



Point-precise and clever.

Heads

The discharging heads can be installed to pinpoint precision and can also be combined with existing nozzles without ionisation.

The heads can be used for the discharge of various materials. Due to their compact design, they can also be used in small spaces and can also be affixed onto articulated hoses or flat nozzles using a variety of mounts.

KERSTEN-PRODUCTS – YOUR BENEFITS

- Plug-in system
- Easy assembly
- Installation in tight spaces
- Suitable for various application areas
- No EMC problems
- Minimal maintenance / Maintenance free
- Suitable for your compressed air supply
- Continuous flow of ions

GENERAL NOTICE

Custom-made products and customer-specific adaptations are possible at any time if necessary.

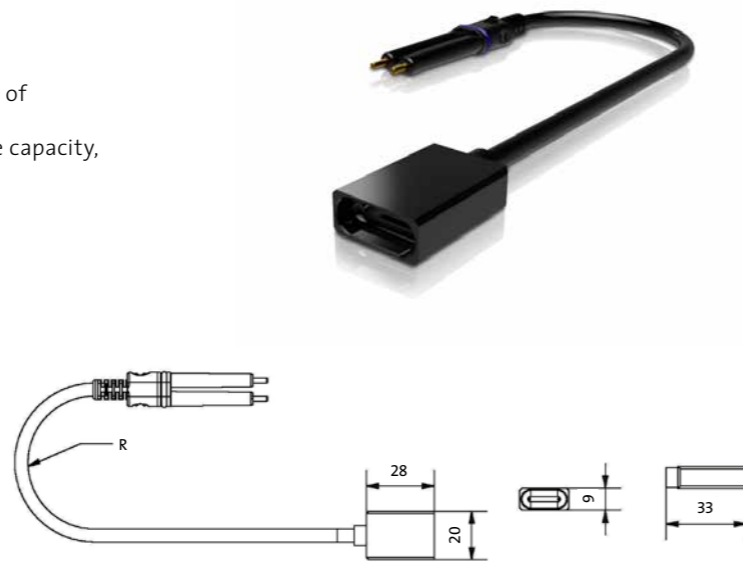


Find further information related to product category at www.kersten.de/en

DK 106

The discharging head DK 106 ensures the elimination of electrostatic charges on a wide variety of materials. DK 106 distinguishes itself through its high discharge capacity, variable positioning, and slim construction depth.

- Compact design
- Patented bipolar DC High Voltage
- Continuous flow of ions
- Excellent cleaning results
- Improvement of processes

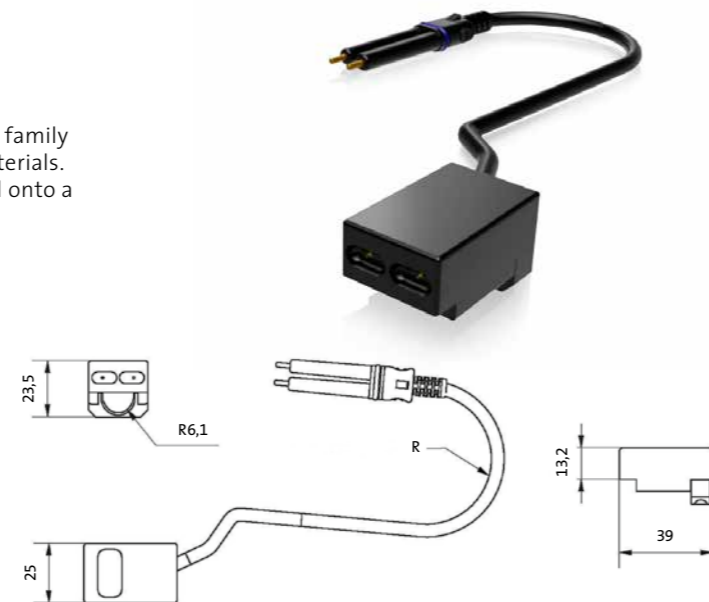


All dimensions in mm.

DK 206

Discharging head DK 206 of the KERSTEN neXt® product family eliminates electrostatic charges on a wide variety of materials. Through the clamp mounting, the DK 206 can be affixed onto a tube with a diameter of up to 12mm.

- Compact design
- Patented bipolar DC High Voltage
- Continuous flow of ions
- Excellent cleaning results



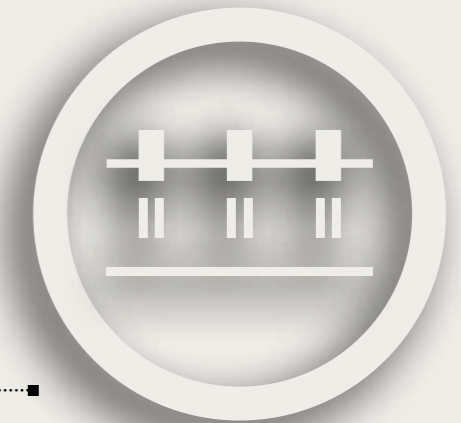
All dimensions in mm.

GENERAL ACCESSORIES

- Measuring Instruments: Securing process quality through checks is an important topic. With the measurement devices offered by KERSTEN, you're able to have your entire process under control. We will gladly create an offer for you with the right measurement devices for your application
 - Electrostatic field meter
 - Digital multimeter
 - High voltage probe
- Pneumatic Supply: The pneumatic supply and distribution systems offered by KERSTEN allow you to enjoy the benefits of air-assisted electrostatic discharging even without your own house air supply.
 - Compressor
 - Air fittings

Individuality in the ranks.

Rows



The Kersten discharge lines offer a variety of combinations.

The Kersten neXt® discharging rows offer you many benefits through their flexible adjustment options. They can be used, for example, in air-assisted separation of materials and can be used flexibly.

Furthermore, you will also find a Kersten discharging row for discharging and cleaning hollow parts such as PET bottle blanks.

KERSTEN-PRODUCTS – YOUR BENEFITS

- Minimal maintenance / Maintenance free
- Suitable for your compressed air supply
- Continuous flow of ions
- Individual configurations possible

LEGEND

M = with charging, N = without charging
Both versions can be combined in a row.

GENERAL NOTICE

Custom-made products and customer-specific adaptations are possible at any time if necessary.

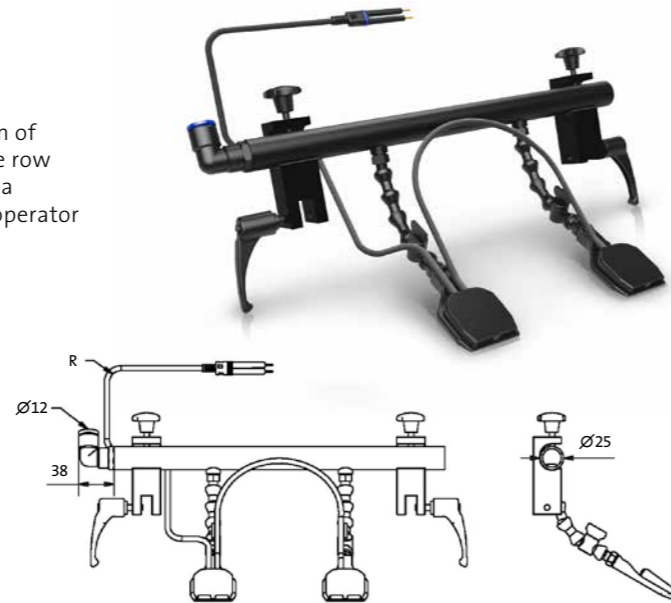


Find further information related to product category at www.kersten.de/en

DR 206

The DR 206 discharge row offers air supported separation of materials, such as sheets in offset printing. The discharge row comprises several discharge nozzles mounted to slide on a carrier pipe. The air supply is centrally adjustable by the operator and each nozzle is also individually adjustable.

- Variable adjustment options
- Multiple air flow customization options
- Suited for very fast processes
- Example: Assures smooth sheet run

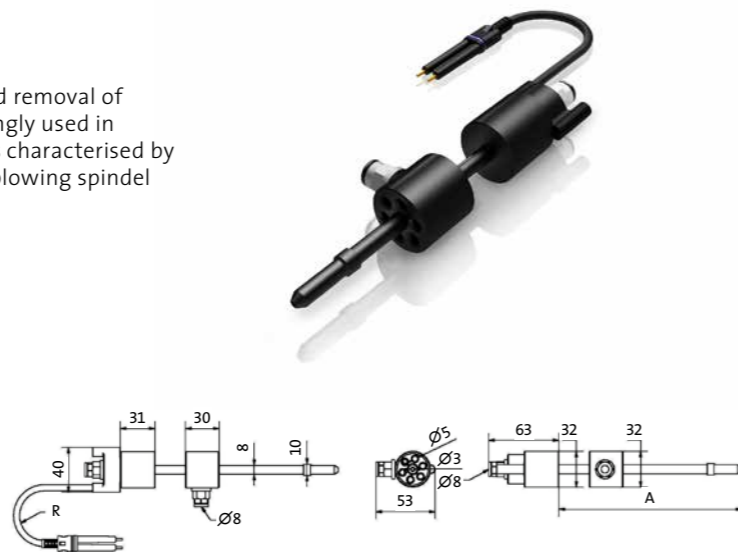


All dimensions in mm.

DR 606

The DR 606 discharging row is used for air-supported removal of dirt particles in closed containers which are increasingly used in the food and pharmaceutical industry. The DR 606 is characterised by a safe-to-touch discharging head, an exchangeable blowing spindel and an optional suction system.

- Easy cleaning of hollow objects
- Integrable solution
- Small design
- Minimal maintenance effort
- Suitable for your compressed air supply
- Continuous flow of ions
- Plug-in system



All dimensions in mm.

Discharging
with accuracy.

Discharging Pistol



The discharging guns are ideally suited for the discharge of substrates and for blowing off dirt. They are distinguished by their high efficiency, even at low pressure.

Thus, the hand-operated discharging of substrates and the blowing off of the dirt is made simple and efficient. It is even achieved at low pressure via the focused and pointed air outlet

KERSTEN-PRODUCTS – YOUR BENEFITS

- Suitable for various application areas
- No EMC problems
- Minimal maintenance / Maintenance free
- Suitable for your compressed air supply
- Continuous flow of ions
- Plug-in system

GENERAL NOTICE

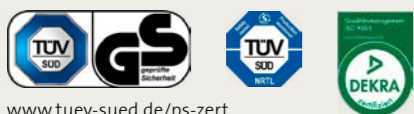
Custom-made products and customer-specific adaptations are possible at any time if necessary.



Find further information related to product category at www.kersten.de/en

GENERAL ACCESSORIES

- Measuring Instruments:
Securing process quality through checks is an important topic. With the measurement devices offered by KERSTEN, you're able to have your entire process under control. We will gladly create an offer for you with the right measurement devices for your application
 - Electrostatic field meter
 - Digital multimeter
 - High voltage probe
- Pneumatic Supply:
The pneumatic supply and distribution systems offered by KERSTEN allow you to enjoy the benefits of air-assisted electrostatic discharging even without your own house air supply.
 - Compressor
 - Air fittings

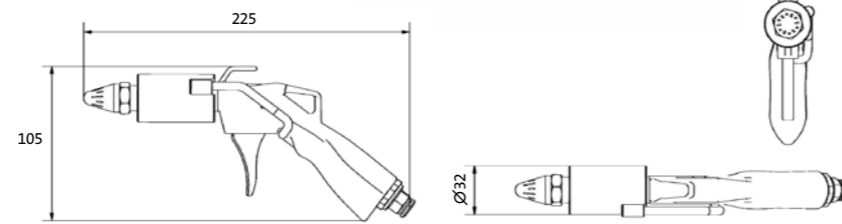


DP 106

The new discharging pistol from KERSTEN.
The DP 106 is best suited for mobile and flexible use on diverse material and surfaces at your site.

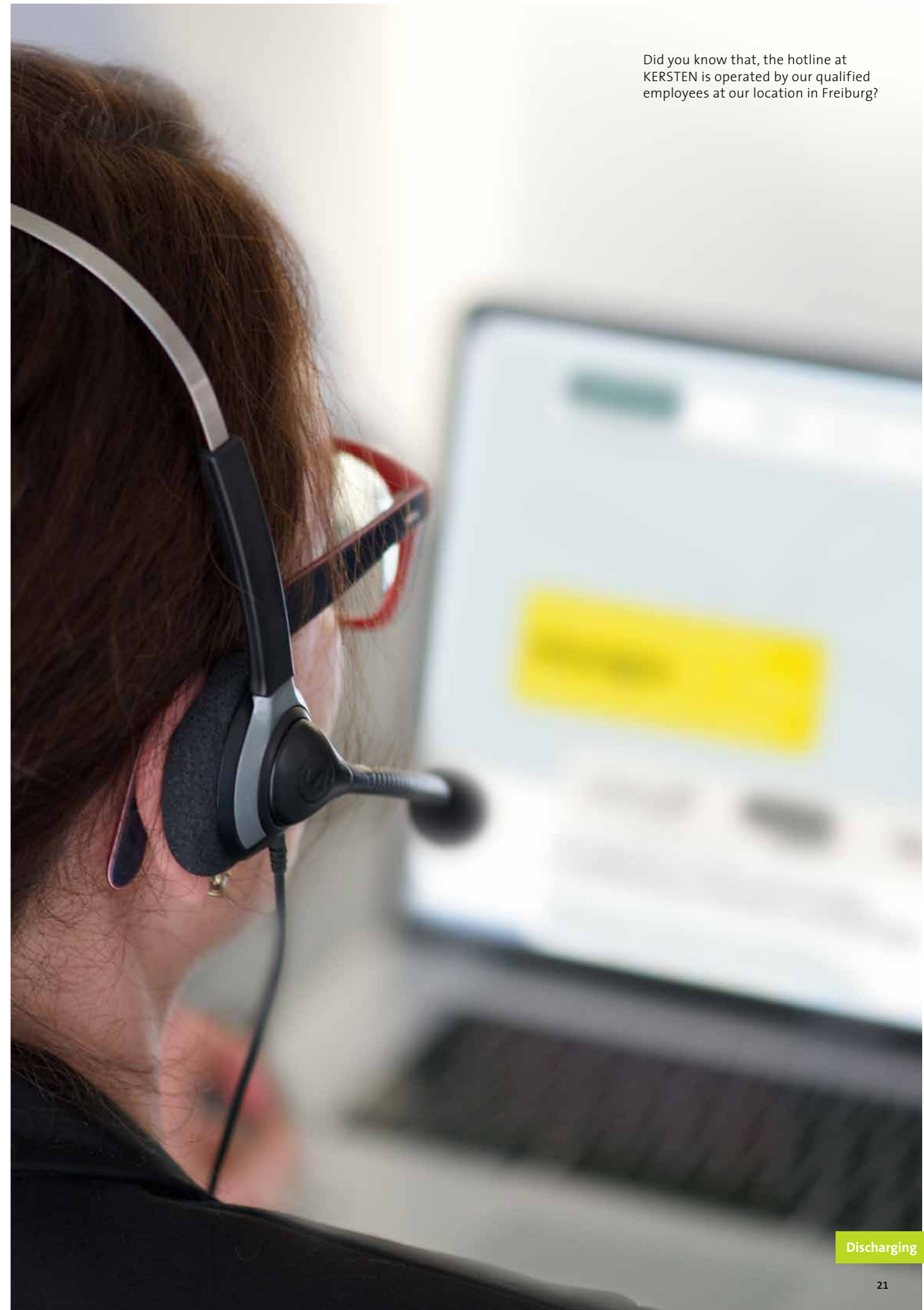
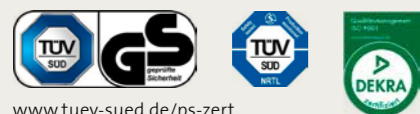
- Excellent cleaning results
- Safe to touch
- Easy to use
- Plug-in system
- Suitable for a wide range of applications
- Fits to your compressed air supply
- Easy to install
- Continuous flow of ions

All dimensions in mm.



GENERAL ACCESSORIES

- **Measuring Instruments:**
Securing process quality through checks is an important topic. With the measurement devices offered by KERSTEN, you're able to have your entire process under control. We will gladly create an offer for you with the right measurement devices for your application
 - Electrostatic field meter
 - Digital multimeter
 - High voltage probe
- **Pneumatic Supply:**
The pneumatic supply and distribution systems offered by KERSTEN allow you to enjoy the benefits of air-assisted electrostatic discharging even without your own house air supply.
 - Compressor
 - Air fittings



Did you know that, the hotline at KERSTEN is operated by our qualified employees at our location in Freiburg?

KERSTEN ELEKTROSTATIK GMBH

Walter-Knoell-Straße 3

79115 Freiburg | Germany

T +49 761 47944-0 | F +49 761 47944-99

info@kersten.de | www.kersten.de/en

